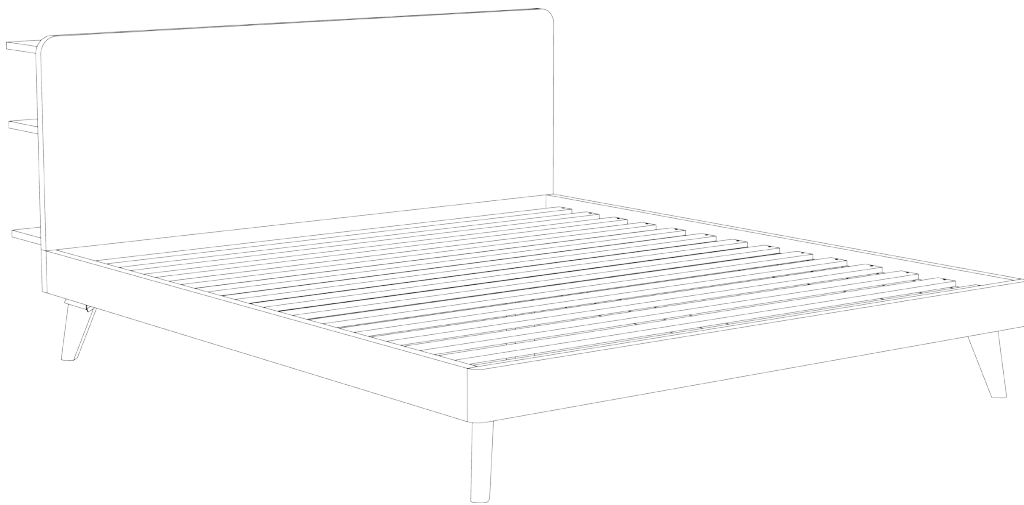


Assembly instruction



# RETREAT

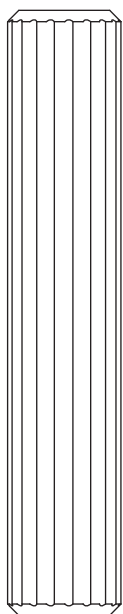


**karup**

DESIGN

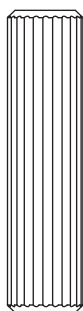
# FITTINGS

A X 2



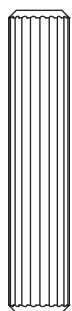
∅15 x  
80 mm

B X 2



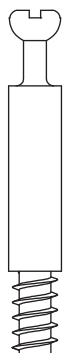
∅10 x  
40 mm

C X 20



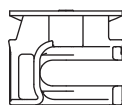
∅8 x  
40 mm

D X 19



∅7 x  
34 mm

E X 19



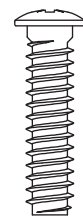
∅15 x  
12 mm

G X 2



∅10 x  
3 mm

F X 16



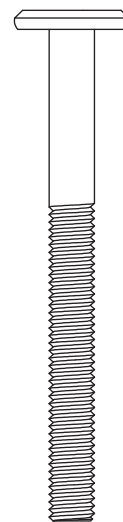
∅6,3 x  
25 mm

H X 2



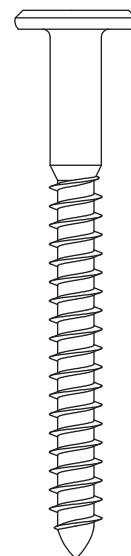
M6  
∅10 x  
13 mm

J X 2



M6 x  
65 mm

K X 4



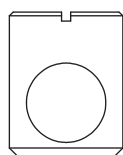
∅6,3 x  
70 mm

M X 2



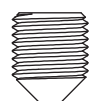
∅9,8 x  
37 mm

N X 2



∅15 x  
19 mm

P X 2



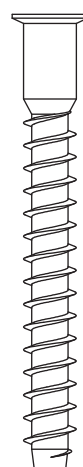
M10 x  
12 mm

Q X 2



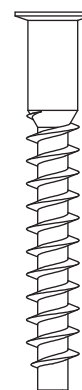
76 x 30 x  
6 mm

R X 3



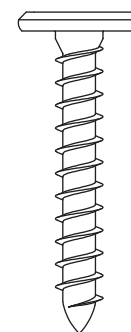
∅7 x  
60 mm

S X 8



∅7 x  
50 mm

T X 8



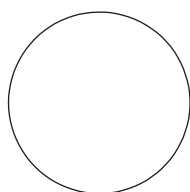
∅6,3 x  
40 mm

L X 28



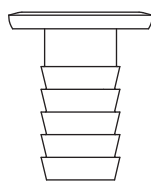
∅3,5 x  
40 mm

U X 1



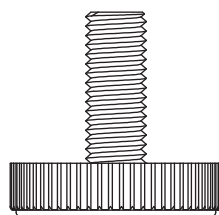
∅24 x  
3 mm

V X 2



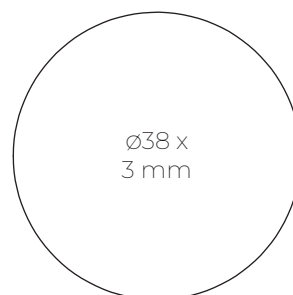
M8, ∅10,4 x  
20 mm

W X 1



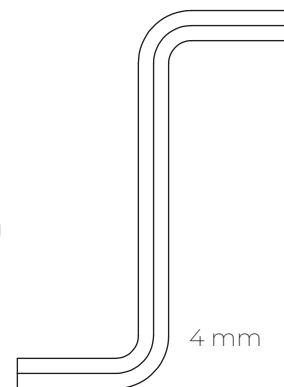
∅28, M8 x  
20 mm

Y X 4

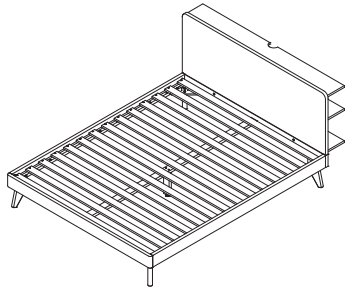


∅38 x  
3 mm

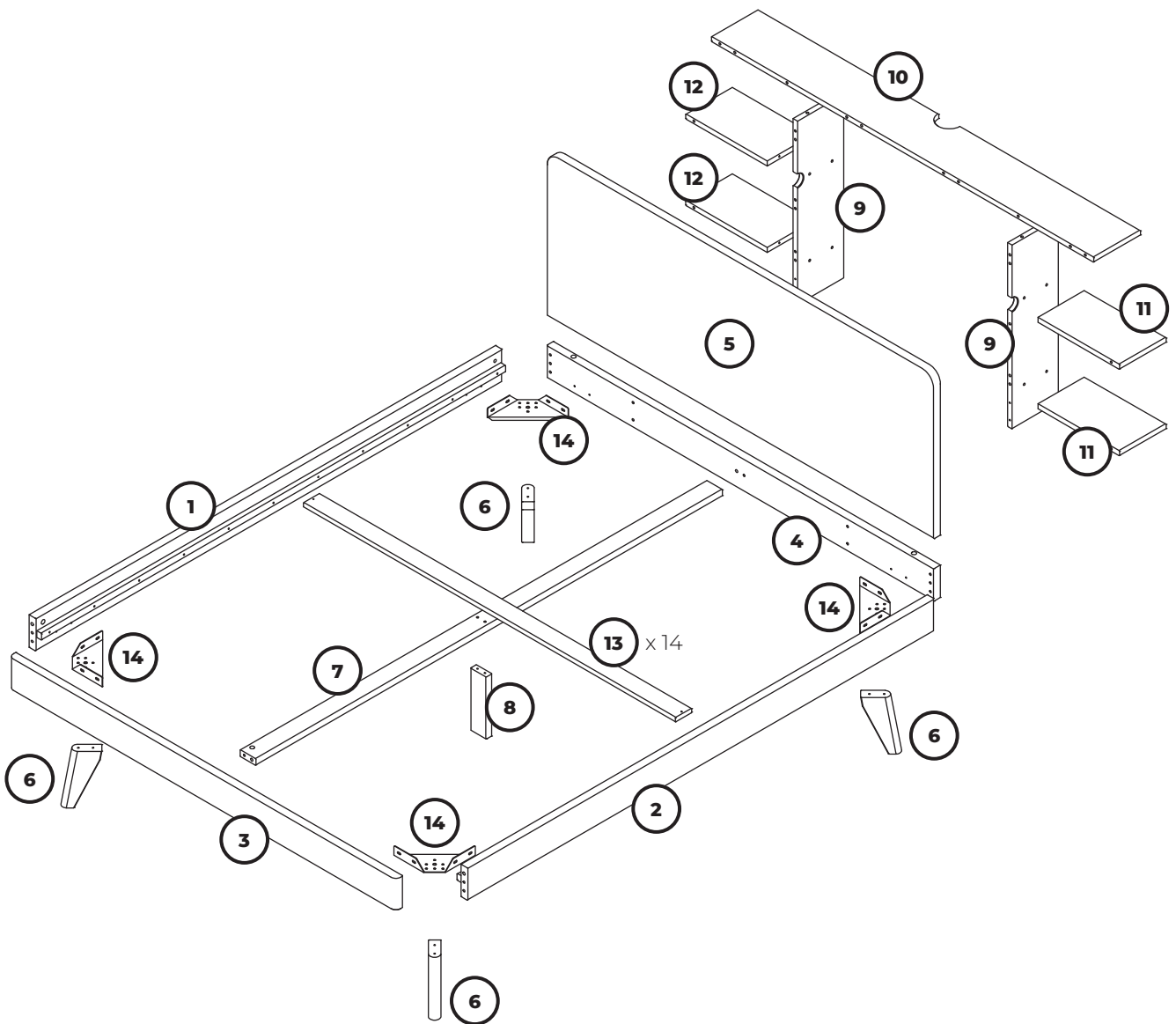
Z X 1

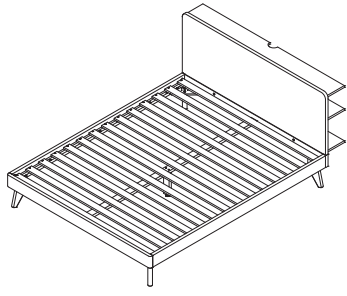


4 mm



- |         |         |          |           |
|---------|---------|----------|-----------|
| 1 x (1) | 1 x (5) | 2 x (9)  | 14 x (13) |
| 1 x (2) | 4 x (6) | 1 x (10) | 4 x (14)  |
| 1 x (3) | 1 x (7) | 2 x (11) |           |
| 1 x (4) | 1 x (8) | 2 x (12) |           |

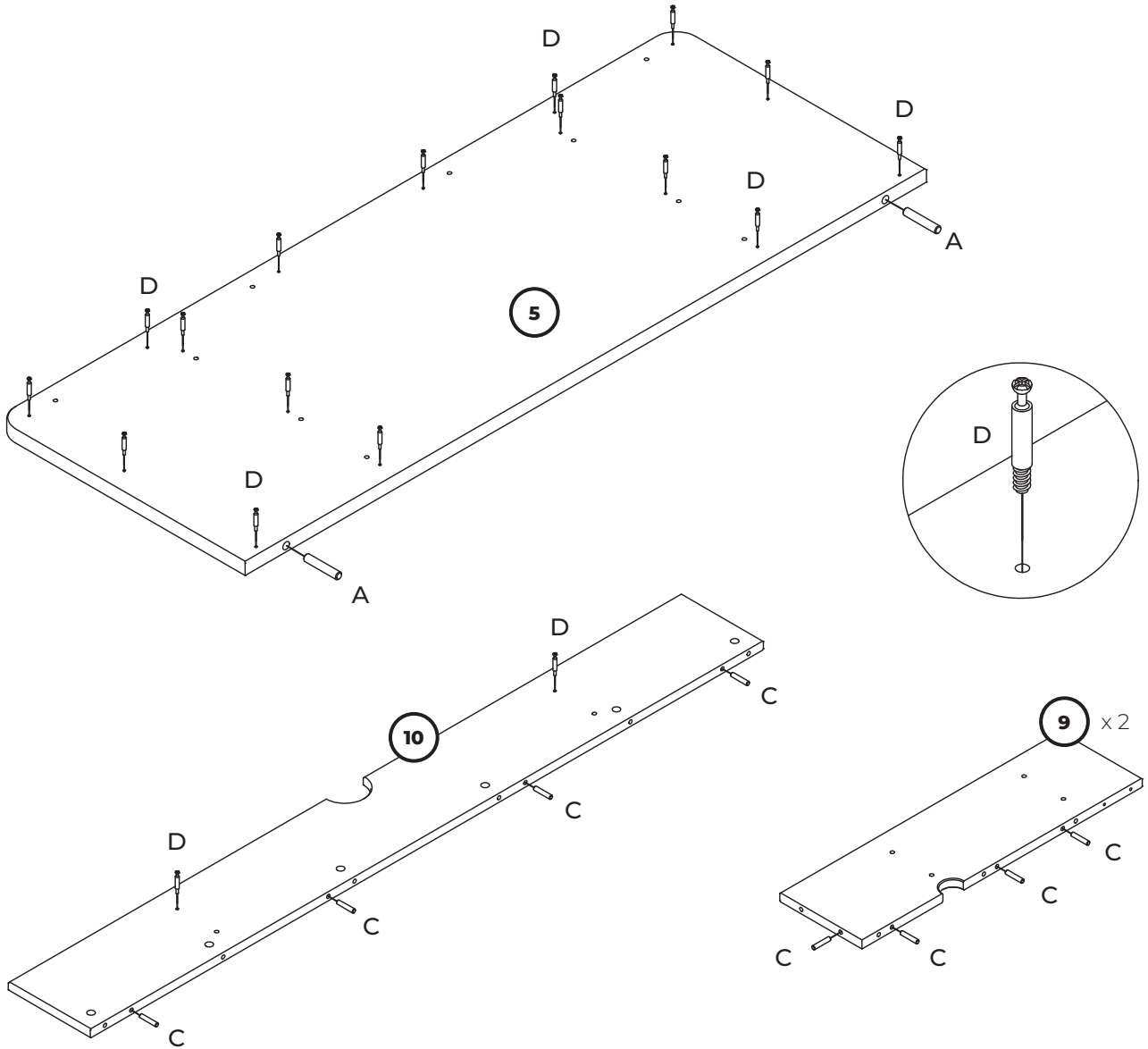


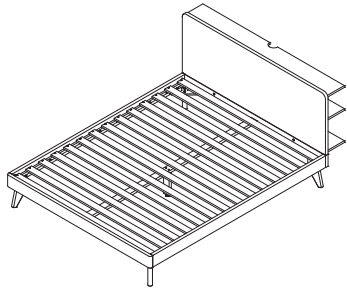


A X 2

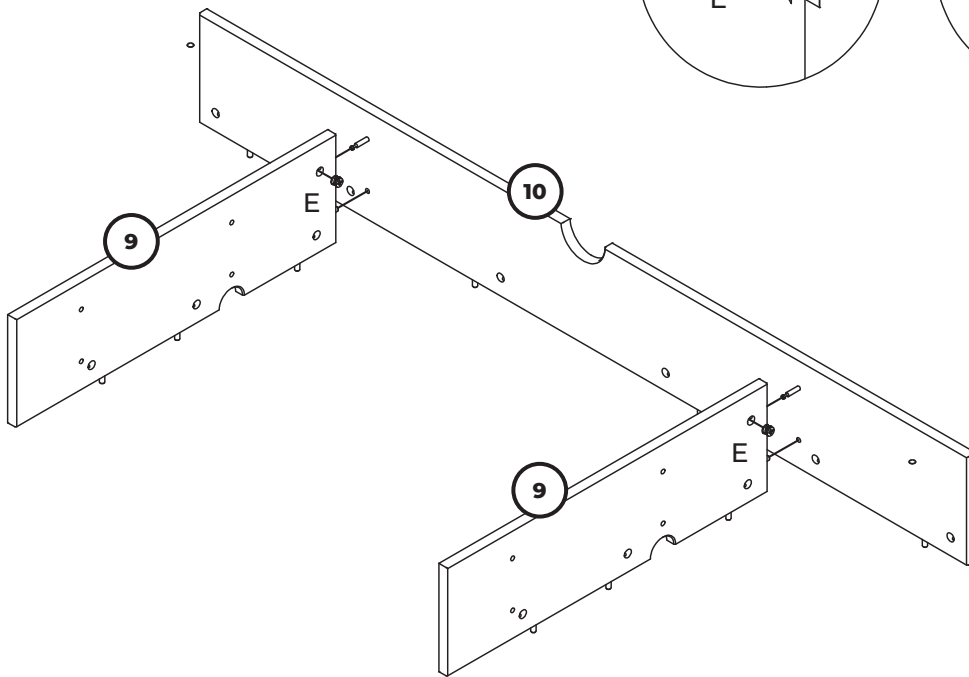
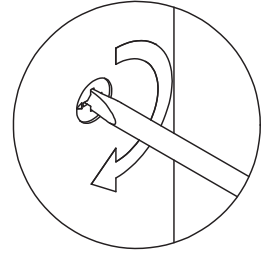
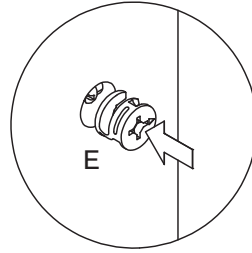
C X 12

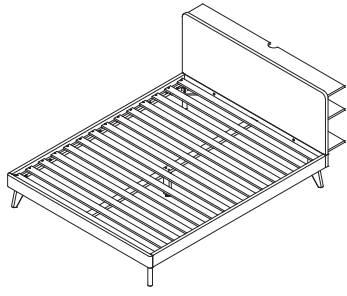
D X 18





E X 2

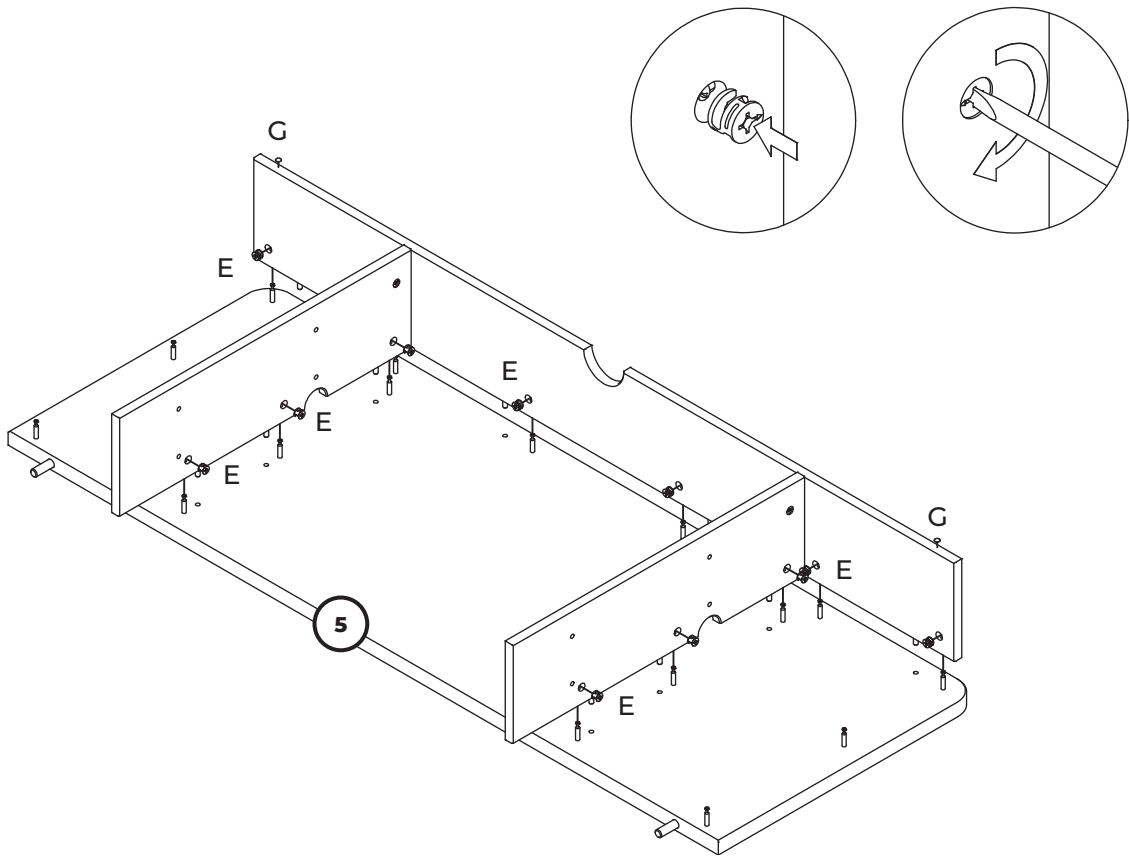


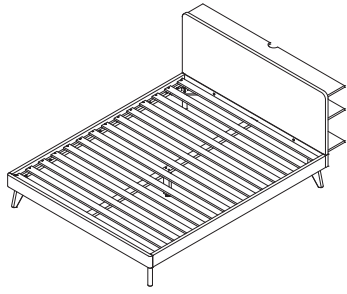


E X 12



G X 2





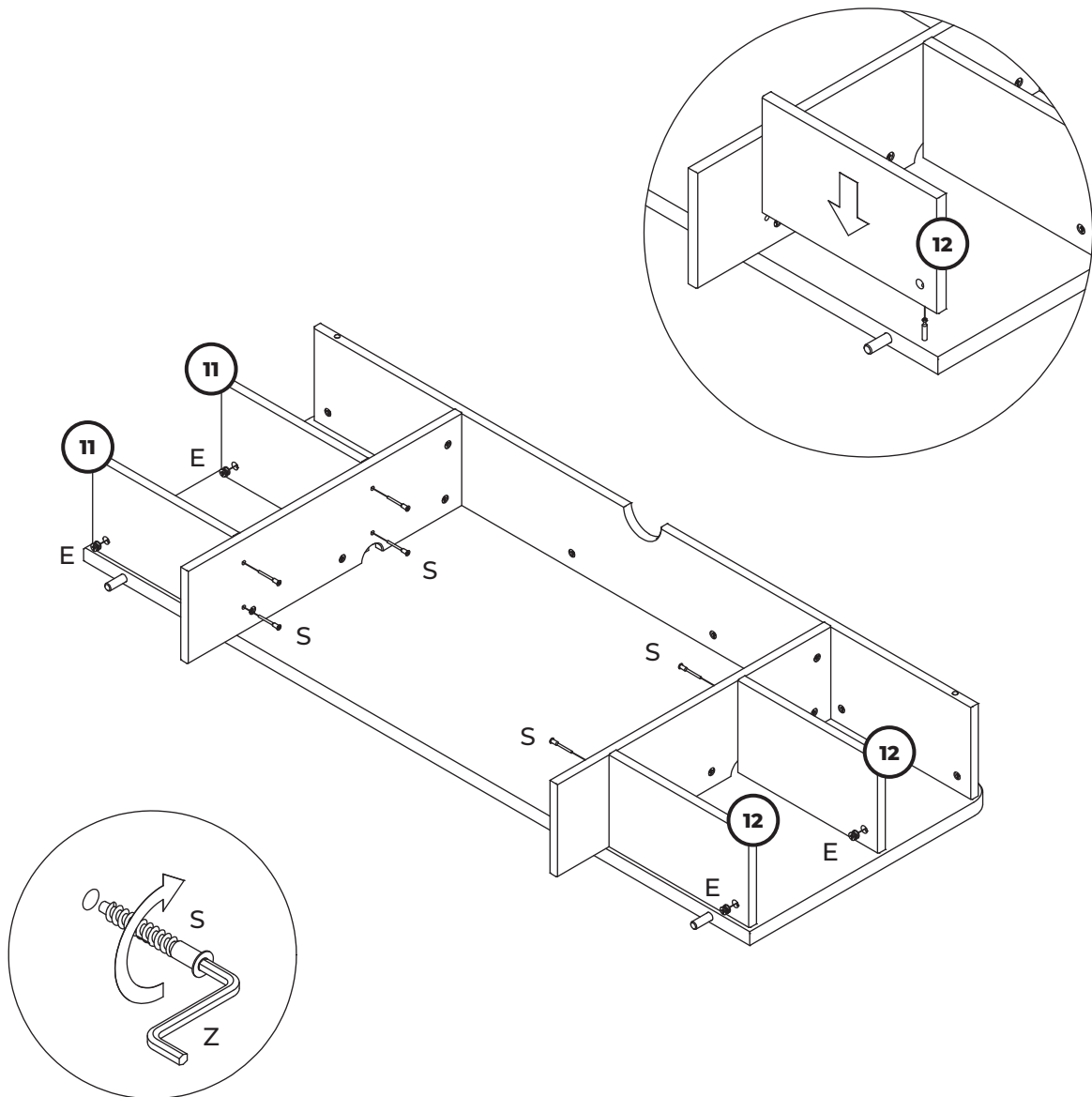
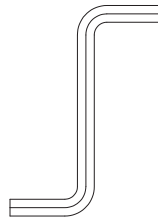
EX4



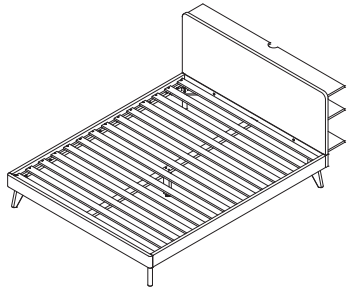
SX8



ZX1



**Futon.dk**



B X 2



C X 8



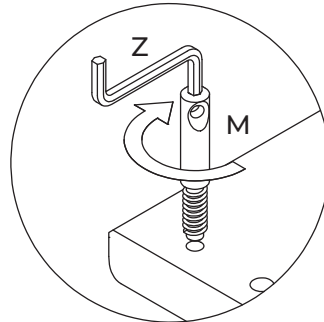
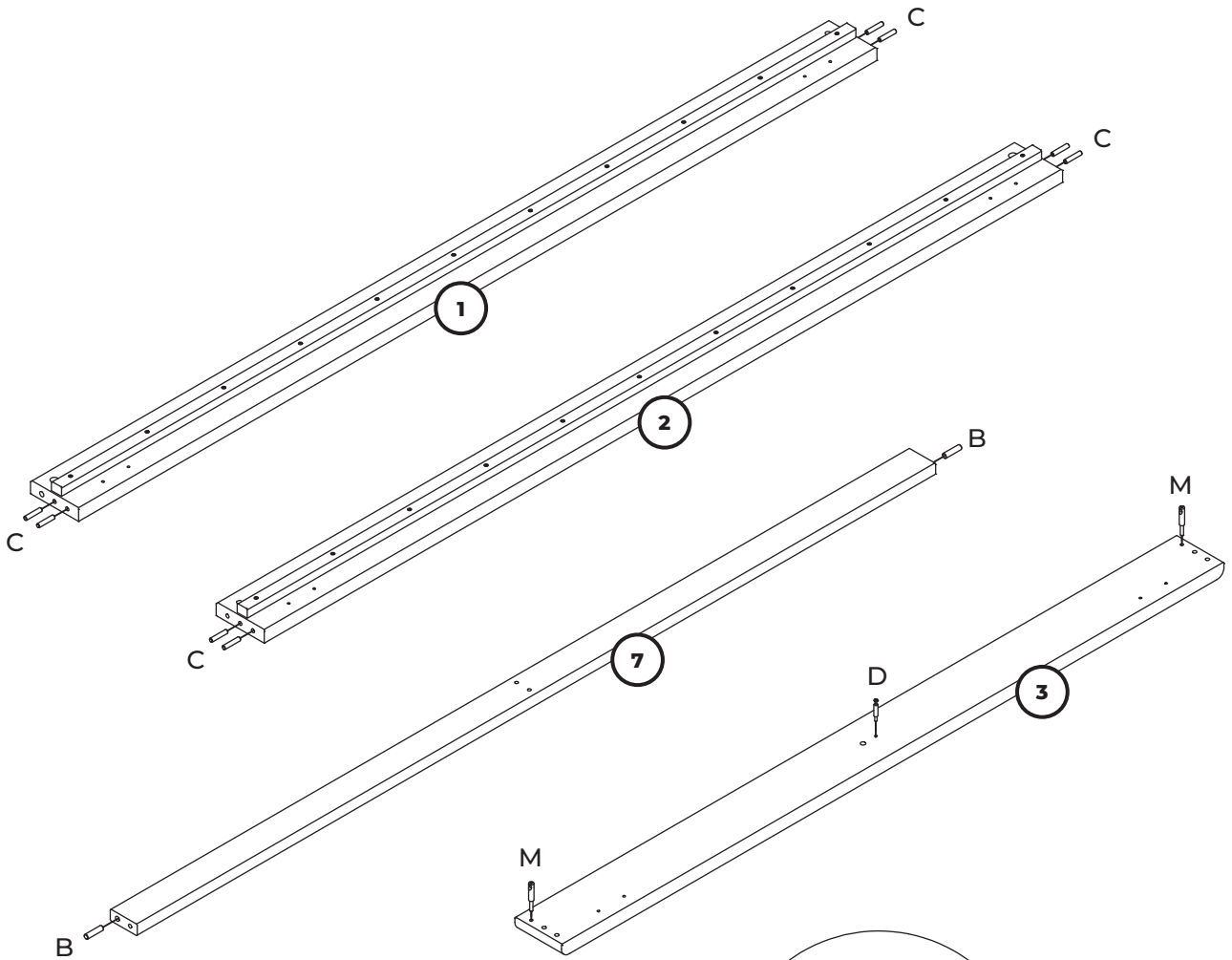
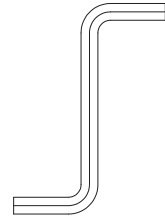
D X 1



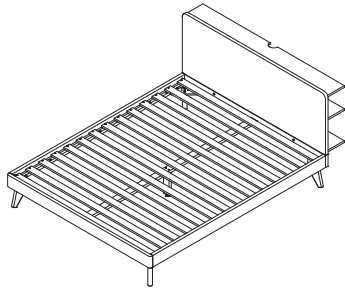
M X 2



Z X 1



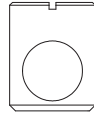




EX4



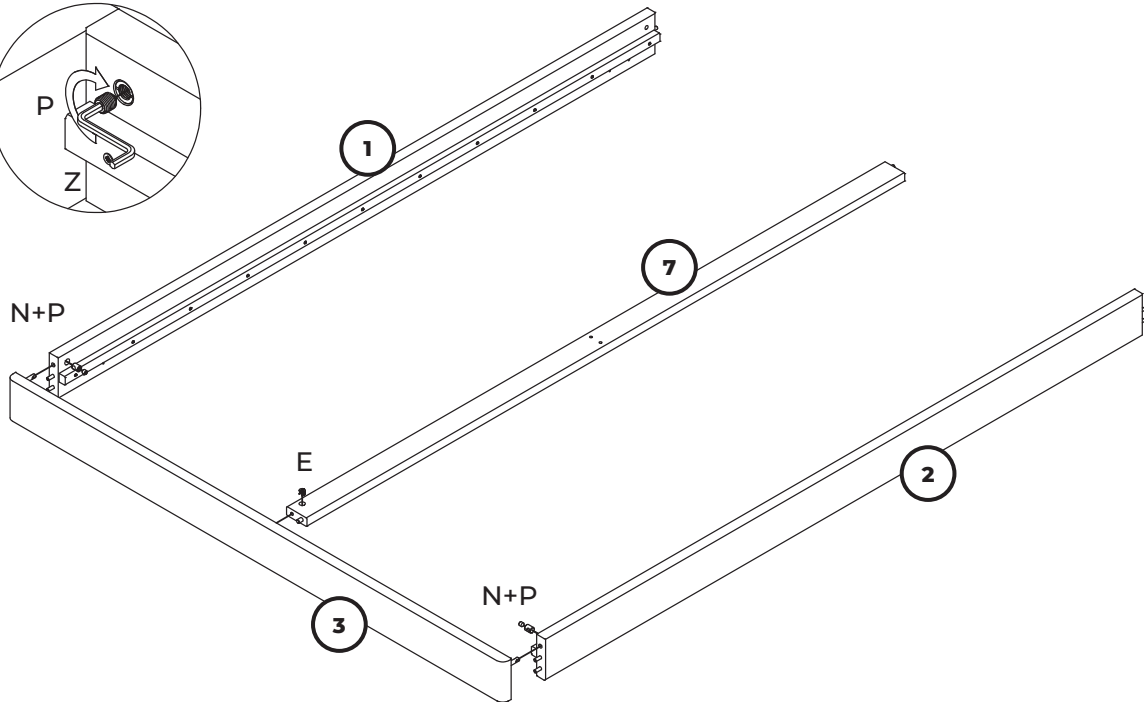
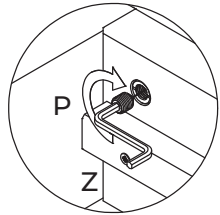
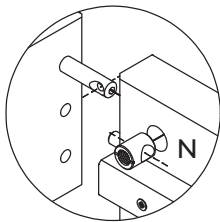
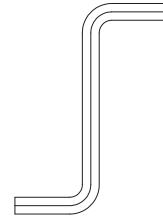
NX8

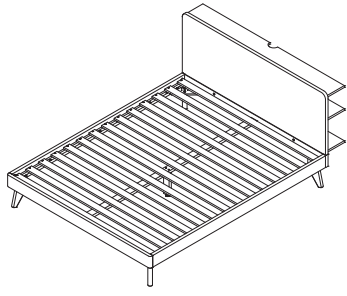


PX8



ZX1

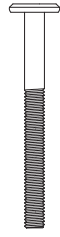




H X 2



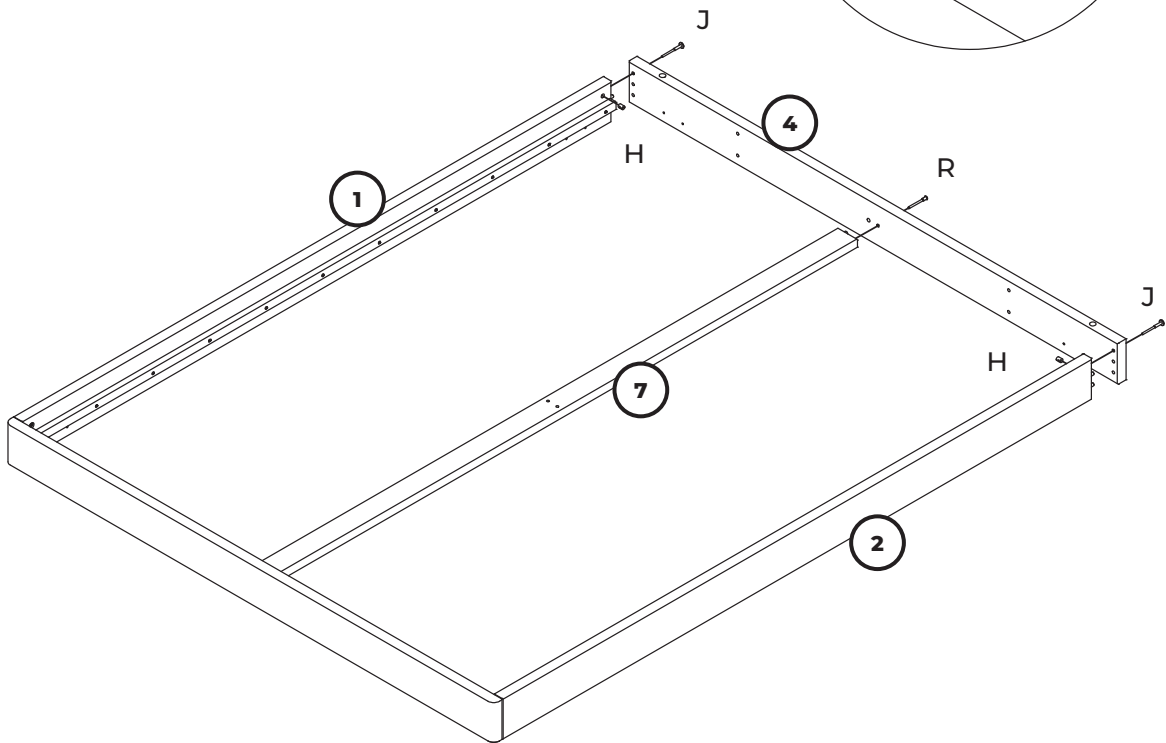
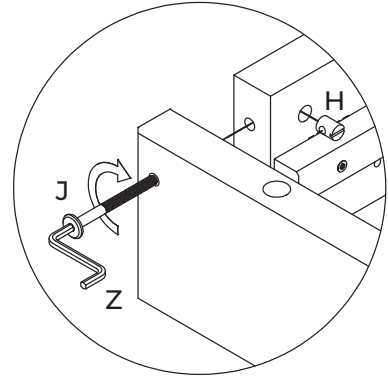
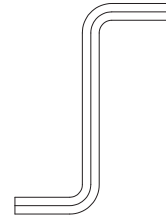
J X 2

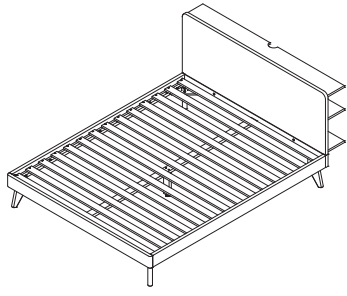


R X 1

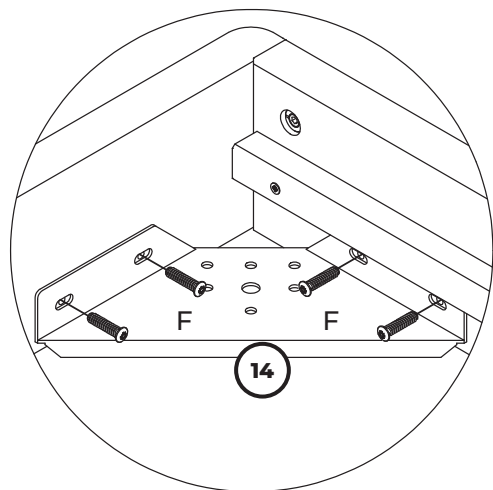
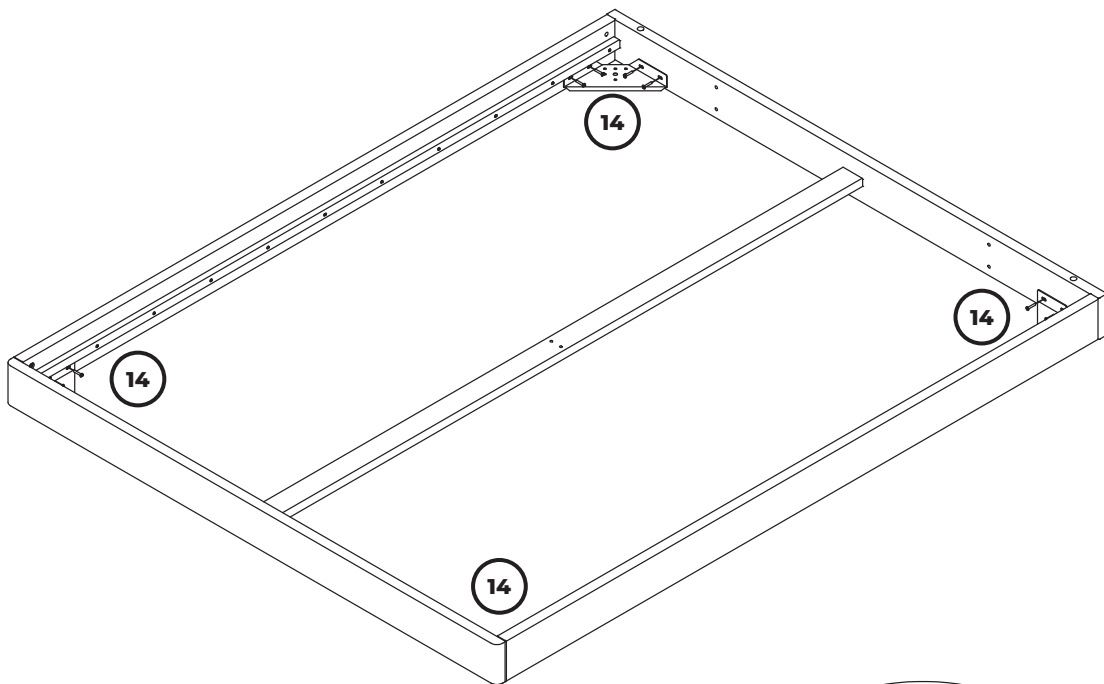
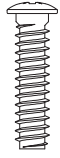


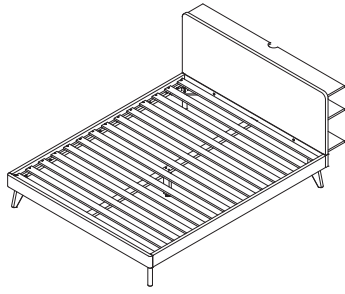
Z X 1





F X 16

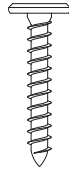




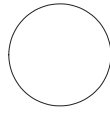
R X 2



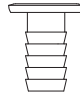
T X 8



U X 1



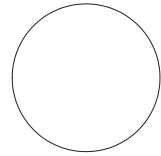
V X 1



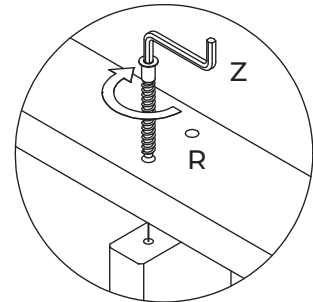
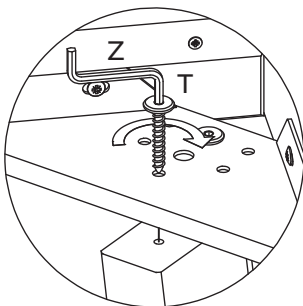
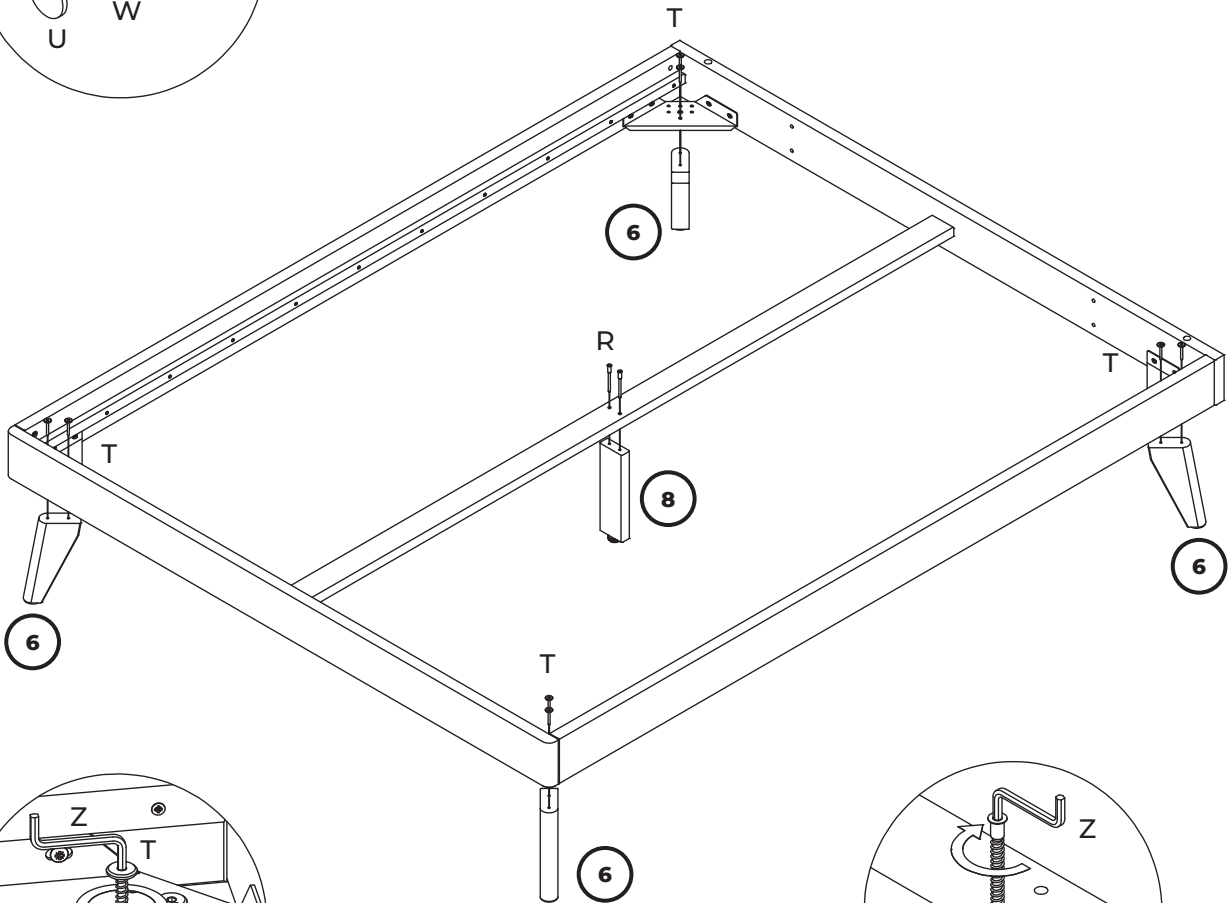
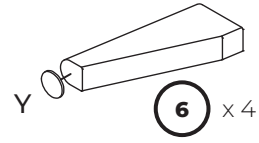
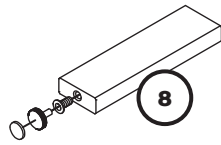
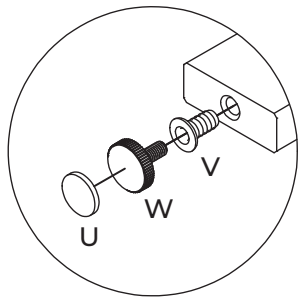
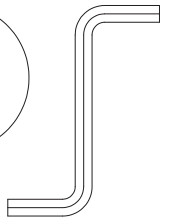
W X 1

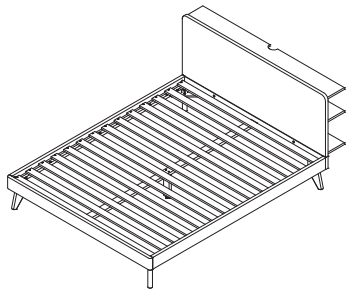


Y X 4



Z X 1





K X 4



L X 28



Q X 2



Z X 1

